



[My Profile](#) | [Active Users](#) | [Help](#) | [Search](#)

You are logged in as **CardFan**, [Log out](#)

[VWvortex Forums](#) > [Corrado](#) > [The Ultimate sunroof repair post. \[Archived\]](#)

[Post New Topic](#) [Start New Poll](#)  



PRINTABLE
VERSION



EMAIL THIS TOPIC
TO A FRIEND



TRACK THIS TOPIC

[Help](#)

NoCYet

Member

Offline

Member Since


2-10-2001

1779 posts

Eastern Shore MD

'92 SLC



 The Ultimate sunroof repair post.

<< >> 6:34 PM 4-22-2004

[Reply](#)

Some of this post is a rehash of info in this thread <http://forums.vwvortex.com/zerothread?id=1346637>

But it's all ordered in one post and hopefully in an easy to understand manner.

After seeing post after post about broken sunroofs I've decided to show everyone how to *permanently* fix their original Corrado sunroof. Now that I have a digi cam I can finally do it right.

The basic cause of MOST problems is actually very simple and cheap to fix.

The first pic is of the guide



This rocker on the guide must engage with the cable assembly when you close the roof. otherwise it will pop free when you try to slide the roof back, and eventually cause your cable assembly to break.
The problem with the rocker is the o-ring on the rear end of it that sets the height it sits at so it can engage, and disengage smoothly.
Here is the same pic with the O-Ring circled in red.



Over time the original gets squashed so that the rocker sits at too much of an angle to engage properly with the cable assembly, then you get a popping sound when you slide your roof back, but it may still work properly otherwise, depending on how bad it is. Eventually this stress causes the cable assembly, to fracture. Mine broke at the point circled in red.

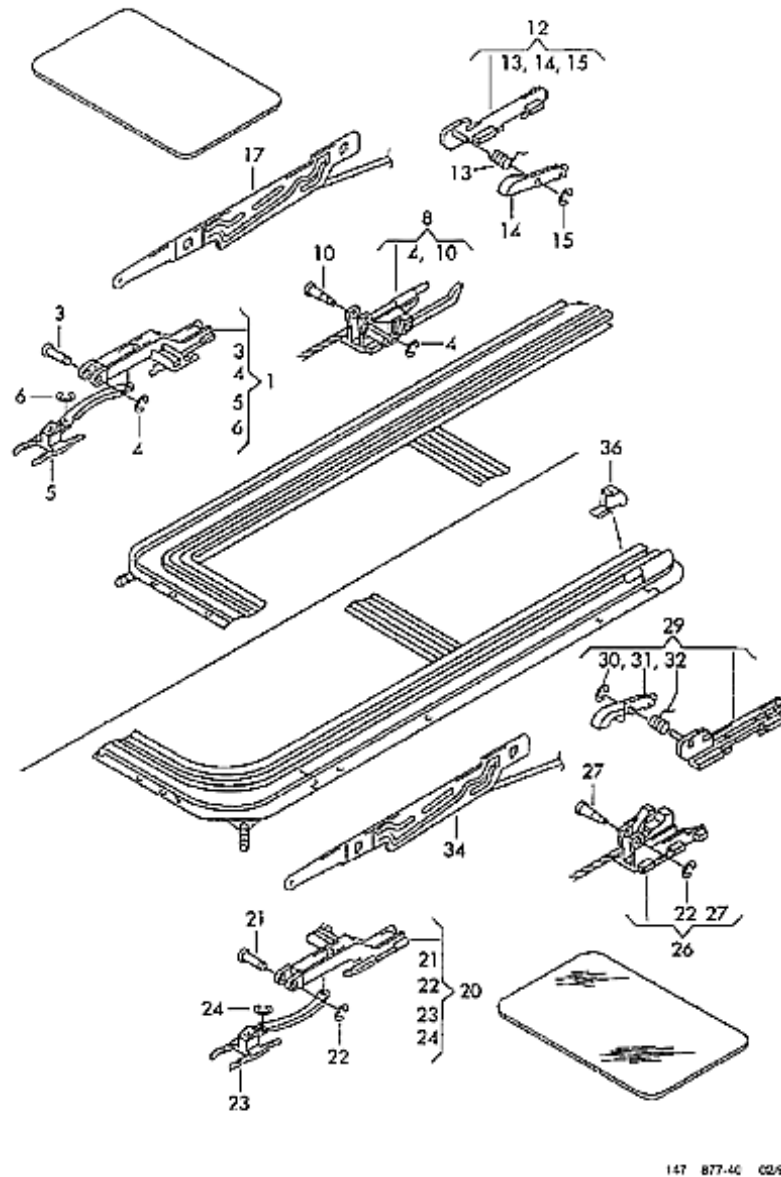


When it breaks one of two things will happen, depending on how it breaks. When it breaks like mine did, the Sunroof will tilt up, but only one side will come back down, because the cable can still push everything forward, but the break separates when you try to go the other way. The other possibility, (no pic here sry.) is that your roof will tilt fine, but not slide back. Either way the fix is the same, replace the cables, and fix the O-Ring on the rocker so it doesn't happen again.

Another cause of roof sliding back problems seems to be caused by the plastic guide rails on the Guide assembly breaking and causing the whole thing to jam, and probably breaking the cable assembly as well. the fix is to replace the whole Guide assembly. here's a pic of the whole guide assembly out of the car



The parts that break off are the white plastic bits on the sides. Again the O-ring is colored red here. Finally here is a vag diagram of the whole assembly so you can kind of see how everything goes together.



147 877-40 02/97

The part labeled with the number 12 is the Guide
The part labeled with the number 8 is the cable assembly
Here are the VW part numbers

left guide assembly 1h0 898 019
right guide assembly 1h0 898 020

left cable assembly 1h0 898 015a
right cable assembly 1h0 898 016a

If anyone has pics of their Roof assembly in pieces, I can add a step by step on how to do the job, but I fixed mine long before I had a digi

cam, so no pics.
I know Impex has the parts. they sell a repair kit covering both sides for \$120. The cable assemblies run about \$80 a side. If anyone knows another source post it.

[My Car](#)

gomer
Member



Offline

Member Since
11-22-2001
1279 posts

NY



Re: The Ultimate sunroof repair post. (NoCYet) »

<< » 7:40 PM 4-22-2004

Reply

Excellent write up....i think after this, nobody should ask again. This should be posted in the cca, faq's, diy....all of them. This is really good!
Good job 👍

- '86 Golf
- '87 Scirocco 16v
- '91 Golf GL
- '01 GTI VR6
- '93 Passat GLX VR6
- '93 Corrado SLC

1967ghia
Member



Offline

Member Since
1-27-2003
6319 posts

OC So Cal
90 Corrado G60 "Lacy", 90
Corrado G60 "Stacy", 67
Karmann Ghia "Tracy"



Re: The Ultimate sunroof repair post. (gomer) »

<< » 8:40 PM 4-22-2004

Reply

Very nice

Sergeant Select. MOS Aviation Ordnance Technician F/A-18 Hornet
"IYAOYAS" If you aint ordnance you aint shi-t
Also known as population control

<http://www.hostdub.com/albums/...d.jpg>

anojes
Member



Offline

Member Since
10-30-2002
704 posts

caguas puerto rico

Re: The Ultimate sunroof repair post. (1967ghia) »

<< » 10:32 PM 4-22-2004

Reply

1990 corrado g60, 1990
Jeep Wrangler, 6'0" hybrid
fish, 6'4" swallowtail
thruster



Mine opens and tilts; no problem but it scrapes the paint on both sides. It's only clear for now. But I sometimes open it on special occasions
Any suggestions on how to fix it

"Threatning with the almighty internet, that's such a bitch move it's not even funny." Hardcore VW

VRSIX POWER

Member

Offline

Member Since
10-29-2001
1102 posts

Toronto Ontario
93 Corrado



Re: The Ultimate sunroof repair post. (anojes) >>

<< >> 10:38 PM 4-22-2004

Reply

What does it mean when the roof starts to get scratches in it? Last time I used it it went rather slow and I ended up with a tiny scratch. Now I am too scared to use it.

What should I do?

Francis

[Corrado Club of Canada](#)

beenana

Member

Offline

Member Since
7-14-2000
1166 posts

Vancouver, BC, Canada



Re: The Ultimate sunroof repair post. (NoCYet) >>

<< >> 10:45 PM 4-22-2004

Reply

so you're saying that if I replace the squashed O-rings, my roof should last for a while longer? So far I haven't had any problems with it yet, I've got engine problems to worry about... what size are these O-rings and is there a part # available?

beenana

Teutonic

Member



Offline

Re: The Ultimate sunroof repair post. (VRSIX POWER) >>

<< >> 11:20 PM 4-22-2004

Reply

Member Since
6-19-2001
224 posts



DON'T use it until you apply the fix he describes.

TT

'92 Corrado SLC

Teutonic
Member



Offline

Member Since
6-19-2001
224 posts



Re: The Ultimate sunroof repair post. (NoCYet) >>

<< >> 11:21 PM 4-22-2004

Reply

Very nice.

My repair kit is en route as we speak. I'll get to do the whole enchilada repair.

TT

'92 Corrado SLC

NoCYet
Member

Offline

Member Since
2-10-2001
1779 posts

Eastern Shore MD
'92 SLC



Re: The Ultimate sunroof repair post. (beenana) >>

<< >> 11:41 PM 4-22-2004

Reply

*Quote, originally posted by **beenana** »*

so you're saying that if I replace the squashed O-rings, my roof should last for a while longer? So far I haven't had any problems with it yet, I've got engine problems to worry about... what size are these O-rings and is there a part # available?

beenana

Well the O-ring fix is so easy, no disassembly required. that it can't hurt to do it anyway. However if it operates smoothly don't worry too much, But if it ever makes a popping noise while going back that is your warning! I didn't use an o-ring myself, but any good hardware store should have a selection of them. It's very tiny!

I used some thick super stretchy electrical wrap on mine. It's like tape but it only sticks to itself.

[My Car](#)

NoCYet
Member

Offline

Member Since
2-10-2001

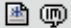
Re: The Ultimate sunroof repair post. (anojes) >>

<< >> 11:44 PM 4-22-2004

Reply

1779 posts

Eastern Shore MD
'92 SLC




*Quote, originally posted by **anojes** »*

Mine opens and tilts; no problem but it scrapes the paint on both sides. It's only clear for now. But I sometimes open it on special occasions 🙄 Any suggestions on how to fix it 🤔

As for the Scratches, that is definately an alignment problem, probably caused by damaged guides, instead of the rocker problem, but could be a combination of both. Unfortunately I haven't had one apart with this problem yet.

[My Car](#)


anojes
Member



Offline

Member Since
10-30-2002
704 posts

caguas puerto rico
1990 corrado g60, 1990
Jeep Wrangler, 6'0" hybrid
fish, 6'4" swallowtail
thruster



📄 Re: The Ultimate sunroof repair post. (NoCYet) »

« » 12:00 AM 4-23-2004

Reply

Thanks for the quick reply 🙄
Anyone else have any Idea?


"Threatning with the almighty internet, that's such a bitch move it's not even funny." Hardcore VW

wieler.be
Member

Offline

Member Since
11-28-2003
3 posts

Evergem Gent
'91 corrado 16v



📄 Re: The Ultimate sunroof repair post. (anojes) »

« » 10:02 AM 4-23-2004

Reply

Hi all,

my first post and I hope it's a good link I am sending you guys...
If you want help trying to understand how your sunroof works, check this site for excellent details... <http://isnet-ev.de/privat/corrado/index.htm> 😊😊

Inoriel
Member

Offline

Member Since

📄 Re: The Ultimate sunroof repair post. (gomer) »

« » 11:18 AM 4-23-2004

Reply

7-31-2000
1410 posts

Monrovia, CA, USA



*Quote, originally posted by **gomer** »*

Excellent write up....i think after this, nobody should ask again.

😄 This is the Vortex! Someone will ask this same question next week! 😄

Corrado Club of America Member #3073

<http://www.Hydrosport.org>

90 Corrado G60 - TEC 2RS

81 VW Caddy 2.0 CIS-8V

A2 Golf 2.0I 16V

Dr Beaver

Member

Offline

Member Since

1-28-2002

471 posts

Halifax NS

IN LIMBO - 94 Corrado

VR6 Sold



<< >> 3:38 PM 4-23-2004

Reply

Mine tilts but doesn't slide back.

I took it apart and slide the guides and cable assemblies out through the back of the tracks.

I can't find anything broken. I put them back in place and now the roof works but it feels like the drivers side has a harder time going back. and they aligned as well when wind the roof in the tilt up position (one goes higher)

I called the deal and for me the cable assembly is 171.68
Guide is 80.75

What gives?

94 Canadian VR6 ---gone---
01 Jetta TDI

marat_g60

Member



Offline

Member Since

3-4-2003

2058 posts

Toronto ON

93 Corrado VR6, 91 Jetta

GTX G60, 96 Jetta GLS



Re: The Ultimate sunroof repair post. (anojes) >>

<< >> 4:16 PM 4-23-2004

Reply

*Quote, originally posted by **anojes** »*

Thanks for the quick reply 👍
Anyone else have any Idea?

change ur rocker arms and it shouldnt get scratched anymore...

thats wat mine did, and IT IS the rocker arm that causes the scratching, because it wont sit right and the plastic things on it break, then it gets loose, and the rocker doesnt stay in place when going back and forth..

[] == \X/ == []

*Quote, originally posted by **Flintstone** »*

Lowballers make me sick. Get a life pal, if you don't like it, don't buy it and shut up!

anojes

Member



Offline

Member Since
10-30-2002
704 posts

caguas puerto rico
1990 corrado g60, 1990
Jeep Wrangler, 6'0" hybrid
fish, 6'4" swallowtail
thruster



Re: The Ultimate sunroof repair post. (marat_g60) »

<< >> 11:11 PM 4-23-2004

Reply

Quote, originally posted by **marat_g60** »

change ur rocker arms and it shouldnt get scratched anymore...

thats wat mine did, and IT IS the rocker arm that causes the scratching, because it wont sit right and the plastic things on it break, then it gets loose, and the rocker doesnt stay in place when going back and forth..

GREAT 👍 Know where I can buy 'em. And how much 😊

"Threatning with the almighty internet, that's such a bitch move it's not even funny." **Hardcore VW**

NoCYet

Member

Offline

Member Since
2-10-2001
1779 posts

Eastern Shore MD
'92 SLC



Re: The Ultimate sunroof repair post. (anojes) »

<< >> 12:31 PM 4-24-2004

Reply

Quote, originally posted by **anojes** »

GREAT 👍 Know where I can buy 'em. And how much 😊

all Part numbers are in the first post. The part you need is called the guide. Try Impex.com or your VW dealer.

[My Car](#)

Ikedu

Member



Offline

Member Since
3-25-2001
2936 posts

Jacksonville Florida
'92 Corrado SLC, '04 Golf
R32



Re: The Ultimate sunroof repair post. (NoCYet) »

<< >> 1:52 PM 5-7-2004

Reply

something else that happens is that the pin that the rocker part slides onto gets bent, this then causes a misalignment of the rocker and the cable assembly.
Just to let others know also, some of these parts are the same as what is located in the A3 and later cars, but these parts are not listed seperately in ETKA for those model cars, so if you have an A3 you can get the Corrado sunroof individual parts and use them to fix your later model car.
BTY, I have repaired about 8 different sunroofs for people using these parts in the past

Stephen Dupries

04 Golf R32 - Deep Blue 🤘🏠

92 Corrado SLC - project car 🏠

Boosted Dubs Performance - <http://www.boosteddubs.com>

» [Return to Corrado](#)

[Quick Reply](#)



For advertising information Click [Here](#)

Powered by [ZeroForum](#) 2.1.2. ©2005 RelyNet, Inc.